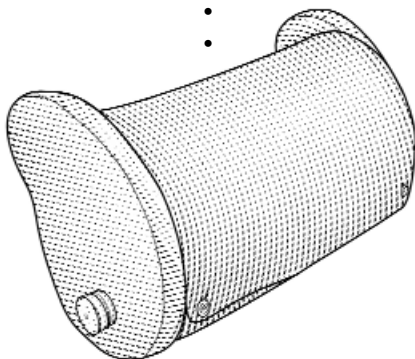


T H E
Leg Lounger™



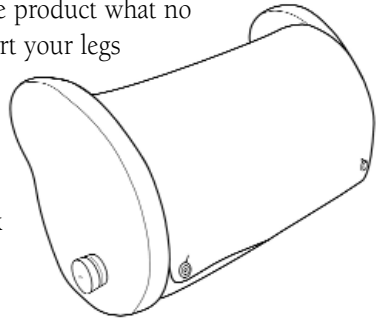
↓
USER MANUAL

TABLE OF CONTENTS

The Leg Lounger™	2
- What's Inside	
- Elliptical Shape	
- Awarded U.S. Patent	
Basic Adjustments	3
- Built-in ergonomic handles	
Comfort Elevation Ranges	4
Additional Adjustments	5
- Self-inflating pillow "Air Lifter"	
Features of Your Leg Lounger™	6
Healthful Aspects of Using Your Leg Lounger	7
Additional Benefits	7
Care & Cleaning	8
Swezey Institute . . . Cequal	9

THE LEG LOUNGER™

Your Leg Lounger™ accomplishes in a single product what no other wedge or pillow can. It lets you support your legs and knees with an almost infinite number of comfort and height settings - all while you remain sitting or relaxing. You never have to get up from your lounging position as you decide to watch TV or read that book or write yourself a note.



WHAT'S INSIDE

Hand built in the same manner as fine furniture, your Leg Lounger has at its core an internal frame. The frame is exceptionally lightweight as it is formed from a hollow cellular polyethylene. Multiple layers of resilient, supportive foam and fleecy, soft fiber surround the frame. This is how the Leg Lounger™ provides its remarkable combination of comfort and support which are literally at your fingertips.

ELLIPTICAL SHAPE: MORE COMFORT IN LESS SPACE

With a simple movement of the soft handles built into the Leg Lounger™, the Leg Lounger's elliptical profile lets you make all the basic adjustments your legs (or knees) desire- from a seated or reclining position. The Leg Lounger's innovative elliptical shape allows it to be rotated in place. This rotating feature lets you select an almost infinite variety of height settings as you move it through a full 190° of cushioned surface area.

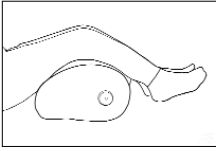
Choose the right height for *comfort*. Choose the right angle for *support*.

AWARDED A U.S. PATENT

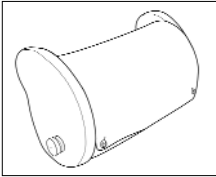
After 5 years of research and development, the Leg Lounger™ arrived at its breakthrough design and function. It has earned it a United States Patent.

BASIC ADJUSTMENTS

- 1) **Place** Leg Lounger™ beneath your legs while sitting, lounging or reclining.

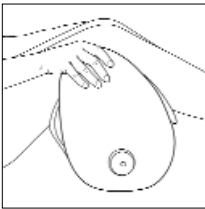


- 2) **Bend** your knees into a comfortable position.
- 3) **Position** your Leg Lounger so that it is under your knees. The buttons on your Leg Lounger cover should be facing away from you, in the direction of your feet.

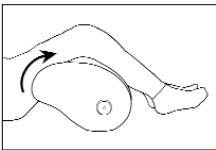


BUILT-IN ERGONOMIC SOFT HANDLES

- 4) **Grip** the ergonomic soft handles which are built right into your Leg Lounger, rotate the Leg Lounger forward so that it supports your legs at the height that you find most comfortable. (As you hold the soft handles you will be able to feel the Leg Lounger's internal, lightweight frame through the layers of fiber and foam).



- 5) **Adjust** the level of support by using the soft handles and gently rotate the Leg Lounger back and forth.



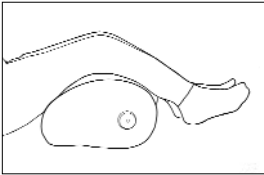
COMFORT ELEVATION RANGES

Keys to your lounging comfort is the numerous possible height and comfort combinations.

Move the Leg Lounger's elliptical shape beneath your legs--you will find three general comfort elevations:

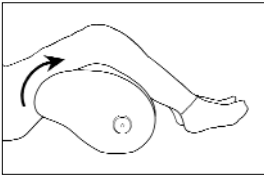
Low Range Comfort Elevation

Try this relaxing angle when you just want to relax and elevate your knees and enhance your circulation.



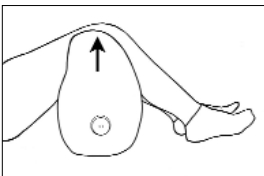
Mid-Range Comfort Elevation

Watching television becomes more comfortable when your legs are supported at this middle range angle.



Peak Range Comfort Elevation

Reading at this highest elevation range is excellent for supporting knees and legs.



**CHANGE POSITION
BY CHANGING HEIGHT**

ADDITIONAL ADJUSTMENTS

Self-Inflating Pillow--“Air Lifter”--Your Legs Rest on a Cushion of Air

Nestled inside the center of the Leg Lounger is a self-inflating, contouring pillow. With a twist of the air valve on the Leg Lounger's side you are able to inflate or deflate this internal pillow. It can raise and lower itself by a **full 2 inches in height**.

Fine Adjustments at Your Fingertips

In addition to the basic height settings, the self-inflating pillow lets you fine-tune the firmness of your Leg Lounger by letting you compress or expand the air inside as well as adjust the height at different comfort elevations.

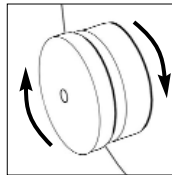
Real Oak Wood Adjustment Control Knob

On the left side of your Leg Lounger™ you will find a wooden knob. This knob controls the air-lifters that raise & lower the Leg Lounger's self-inflating pillow.

"Dial in" Your Support Level and Lock-in Your Setting

Turn the knob *clockwise* to inflate or deflate the internal self-inflating pillow. When you find the level of comfort that you desire simply turn the knob *counter-clockwise* to secure the setting.

**Turn clockwise to
inflate/deflate**



**Turn counter-clockwise
to secure setting.**

No Batteries Needed!

(How the Self-Inflating Pillow inflates automatically time after time)

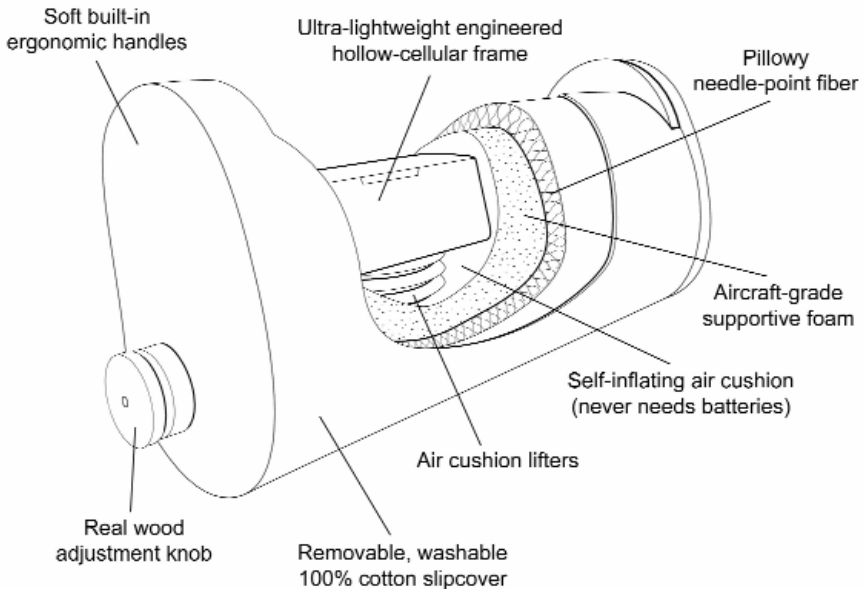
Your Leg Lounger require no batteries or any power source to lift and lower the internal self-inflating pillow. It is done with ingenious mechanical air-lifters. When you turn the wooden control knob, air is allowed into the air-lifters. They fill and raise the pillow section of the Leg Lounger™. The downward pressure of your legs, when the control knob is open, compresses the air-lifters and deflates the internal pillow and softens it.

Returns Itself to Full Inflation

The self-inflating pillow inside your Leg Lounger™ will gradually rise back to its fully inflated position. This resetting is normal and will occur after you remove your legs from it for a period of time.

**CHANGE SOFTNESS
BY TURNING KNOB**

FEATURES OF YOUR LEG LOUNGER™



- At the core of the Leg Lounger™ is an **ultra-lightweight, hollow chambered polypropylene framework**. Around this framework are layered plies of soft supportive foam and fleecy, cushioning fiber.
- **Air Cushion Lifters**
- By fine tuning the amount of inflation you desire, the Leg Lounger will contour itself to the shape of your legs for greater comfort.
- **Inner Protective Cover:** Beneath your Leg Lounger's Slipcover is another cover. Like all quality furniture, your Leg Lounger™ has an inner cover protecting the layers of foam, fiber, and inner frame.
- **Tailored Machine Washable Slipcover:** 100% high-count cotton twill.
- Real Oak Wood Adjustment Knob and Buttons
- Lightweight hollow-cellular inner frame
- Self-inflating Adjustable Cushion (encapsulated air)

**“SIMPLE ON THE OUTSIDE
HIGHLY ENGINEERED ON THE INSIDE”**

HEALTHFUL ASPECTS OF USING YOUR LEG LOUNGER™

- With its high degree of adjustability in positioning and support, the Leg Lounger™ helps provide maximum sustained leg and knee comfort while resting, sitting, lounging, or just relaxing.
- Your Leg Lounger™ permits mild leg elevation with its low range comfort elevation and thereby, may help relieve lower leg swelling (known as edema).
- In the case of back problems, it's an easy way to keep your back posture flat when you're lying down with your knees up.

ADDITIONAL BENEFITS

Built Like Fine Furniture for Years of Service

Sturdy inner frame with inner protective cover.

Other Slipcovers Available

Slipcovers for your Leg Lounger™ are available in a variety of colors and fabrics. You can change your Leg Lounger™ Slipcovers with your bedding, with the seasons, or use a different color as room accents (See your dealer for details).

Works in Tandem With The BedLounge®

The Leg Lounger™ is the perfect complement to the BedLounge®. They were made for each other. The Leg Lounger™ adds a whole dimension of comfort to your BedLounge®. It gives your legs the proper positioning and support they need.

Traveling with Your Leg Lounger™

Pack it with the adjustment knob in the open position (turn it clockwise). When traveling with your Leg Lounger™ on airplanes or into higher elevations. This will keep pressure changes inside your Leg Lounger™ to a minimum.

Problems with Wedges & Pillows

Once you're comfortable & settled, there is often a need to get up for minor adjustment or to rearrange the pillow, or to add wedges. The Leg Lounger™ eliminates this inconvenience with its breakthrough design that puts all adjustments at your fingertips.

CARE & CLEANING - YOUR REMOVABLE SLIPCOVER

Removing the Slipcover

- 1 Unbutton the cover
- 2 Fold back the flap. The inner cover will be exposed.
- 3 Pull the wooden knob off the valve. Valve will remain attached to Leg Lounger™ framework.
- 4 Gently bend one of the soft handles outward (away from yourself).
- 5 Slip the cover off of the end of the handle. Work cover down and off the body and other handle end of the Leg Lounger™. (Put wooden knob lightly back on valve for safe keeping while cover is being washed.)



Washing Your Leg Lounger™ Slipcover

Cold water machine wash with a cold water detergent such as Woolite®. Use gentle cycle.



Drying Your Leg Lounger™ Slipcover

Tumble dry on Air Setting (no heat, if possible).

NOTE: As with all natural fabrics, washing in hot water or drying on a heat setting may cause shrinkage of the cover.

REPLACING THE SLIPCOVER

Replacing the Leg Lounger™ Slipcover

- 1 Fit the Slipcover over the right "soft handle" portion of the Leg Lounger™. Make certain that the slipcover is properly aligned on the handle and end surface.
- 2 Work the Slipcover down along the body portion of the Leg Lounger™.
- 3 Remove the wooden adjustment knob. Pull the Slipcover over the left side of the Leg Lounger™.
- 4 Gently bend the left "soft handle" and fit the Slipcover over the left side. Make any final adjustments so that the Slipcover is properly aligned and fitted onto the Leg Lounger™.
- 5 Button the Slipcover.
- 6 Put the wood adjustment knob on the air valve, and you're finished.

THE SWEZEY INSTITUTE...CEQUAL

Your Leg Lounger is the result of hundreds of man-hours of engineering, research and design time. It is a joint effort from Cequal Products, Inc. and the renowned Swezey Institute.



The Swezey Institute is recognized as one of the world's leading non-surgical back & neck pain relief facilities. Within the Institute are: The Osteoporosis Prevention & Treatment Center, The Arthritis & Back Pain Center, and The Musculoskeletal Education & Research Foundation (a non-profit foundation). The Swezey Institute was founded by Dr. Robert L. Swezey, MD, in 1986.

Cequal Products, Inc. is an outgrowth of The Swezey Institute. Cequal and The Swezey Institute work together in creating new and meaningful products for posture fitness and comfort. The Institute is the source of the knowledge, credibility, ideas and clinical research from which Cequal develops, manufactures and brings to market this applied knowledge and products.



The Leaders in Posture Fitness™

T H E Leg Lounger™

LIFETIME WARRANTY ON HOLLOW-CELLULAR FRAME

The internal hollow-cellular frame of the Leg Lounger™ is warranted to the original purchaser to be free of defects in material or workmanship during the lifetime of the original owner. Cequal Products, Inc. at its sole discretion will repair the defective part with no charge to the owner.

LEG LOUNGER™ LIMITED WARRANTY

The Leg Lounger™ is warranted to the original purchaser to be free from defects in material and workmanship for a period of one year from the date of purchase. Naturally, this warranty does not cover normal wear and tear; or damage resulting from the improper use or product abuse. Cequal Products will, at its option, repair or replace at no charge any Leg Lounger™ which it finds to be defective in material or workmanship, and return it postage paid.



1.800.860.3949

visit the web site
www.cequal.com

1328 Sixteenth Street, Santa Monica, California 90404

©MMIII, Dr. Robert L. Swezey, MD, Annette M. Swezey, MSPH